

Data sheet



Technical data

Type of device	Examination light (spot light)
Class (according to MDR)	I
Protection class/-type	II
IP protection class (IEC 60529)	IP 42
Temperature (for transport and storage) ¹	-25 °C to +70 °C
Ambient temperature for operation	+5°C to +40°C
Relative humidity (for transport and storage) ¹	5 % RH to 95 % RH
Relative humidity for operation	30% to 75% RH
Air pressure (for transport and storage) ¹	700 hPa to 1060 hPa
Air pressure for operation	700 hPa to 1060 hPa
Input voltage (lamp head)	12 V DC
Power consumption (lamp head)	5.5 W
Current consumption (lamp head)	0.45 A max.
Input voltage (power supply)	100-240 V AC, 50/60 Hz
Current consumption (power supply)	0.6 A max.
Operating time	Continuous operation possible
Expected life ²	10 years

¹ Transport and storage conditions for lamp body and power supply unit.

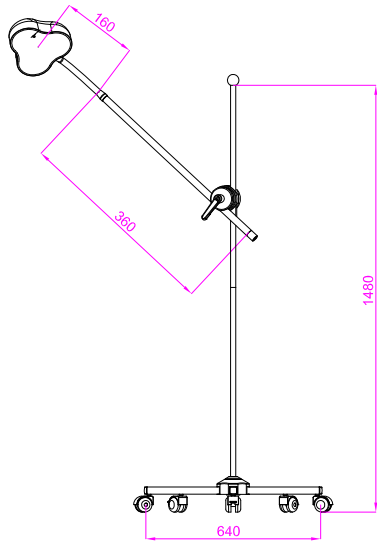
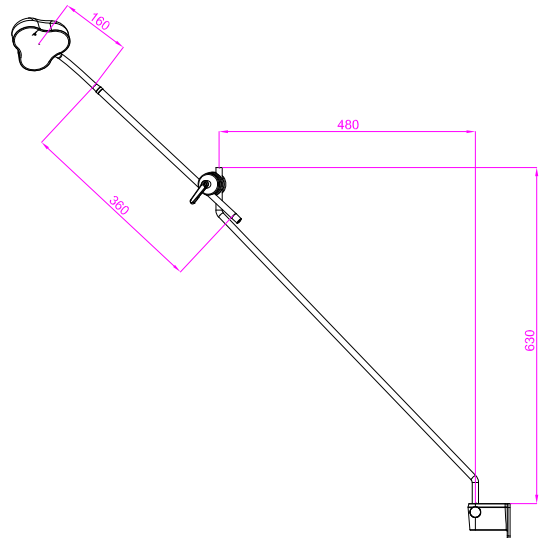
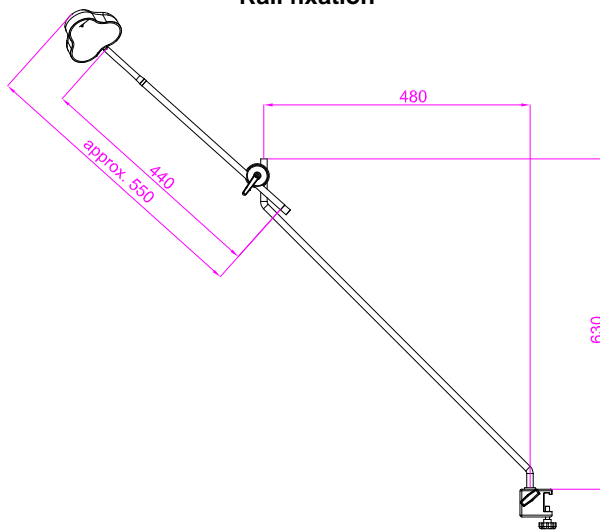
² At the end of the expected (designed) service life, the lamp must be serviced more frequently for safe operation.

Lighting technical data

	Mach LED 110
Central light intensity (Distance 0.5 m)	30.000 Lux
Central light intensity (Distance 1 m)	7.800 Lux
Light field diameter d10 (Distance 0.5 m)	105 mm
Light field diameter d10 (Distance 1 m)	223 mm
Light field diameter d50 (Distance 0.5 m)	58 mm
Light field diameter d50 (Distance of 1 m)	122 mm
Residual light intensity on the ground of a normed tube	100 %
Residual light intensity with one shade	0 %
Residual light intensity on the ground of a normed tube with one mask	0 %
Residual light intensity with two shades	68 %
Residual light intensity on the ground of a normed tube with two masks	68 %
Illumination depth 60 %	1250 mm
Colour rendering index R _a (type)	97
Colour rendering index R ₉ (type)	96
Colour rendering index R ₁₃ (type)	97
Radiation strength in the field (Distance 1 m)	58,3 W/m ²
Maximum radiation strength at a distance of 0.41 m	265 W/m ²
Relation E _e /E _c	3.76 (mW/m ²) /lx
Light field size (Distance 0.5 m)	10 cm
Light field size (Distance 1 m)	22 cm
Colour temperature (Kelvin)	4000 K
Temperature increase in the head area	0.5 °C
Luminous efficacy (efficiency) (Distance 1 m)	266 lm/W
Number of LEDs	3
Diameter of light body	12 cm
Life-span of LEDs	60.000 h

All technical data are subject to certain fluctuations. For production reasons, the actual values have a tolerance of ± 10%.

The values for the colour temperature can have deviations of ± 200 K.

Technical drawings Mach LED 110**Stand model****Wall model****Rail fixation**

Dr. Mach GmbH & Co. KG
Am Brucker Feld 4
85567 Grafing, GERMANY

Tel.: +49 (0)8092 2093 0
Fax +49 (0)8092 2093 999

Internet: www.dr-mach.de
E-Mail: info@dr-mach.de

Subject to technical modification

